

SurfTouch

The new Android touchscreen terminal

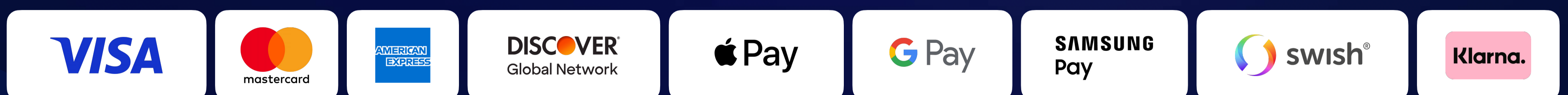
Accept payments everywhere

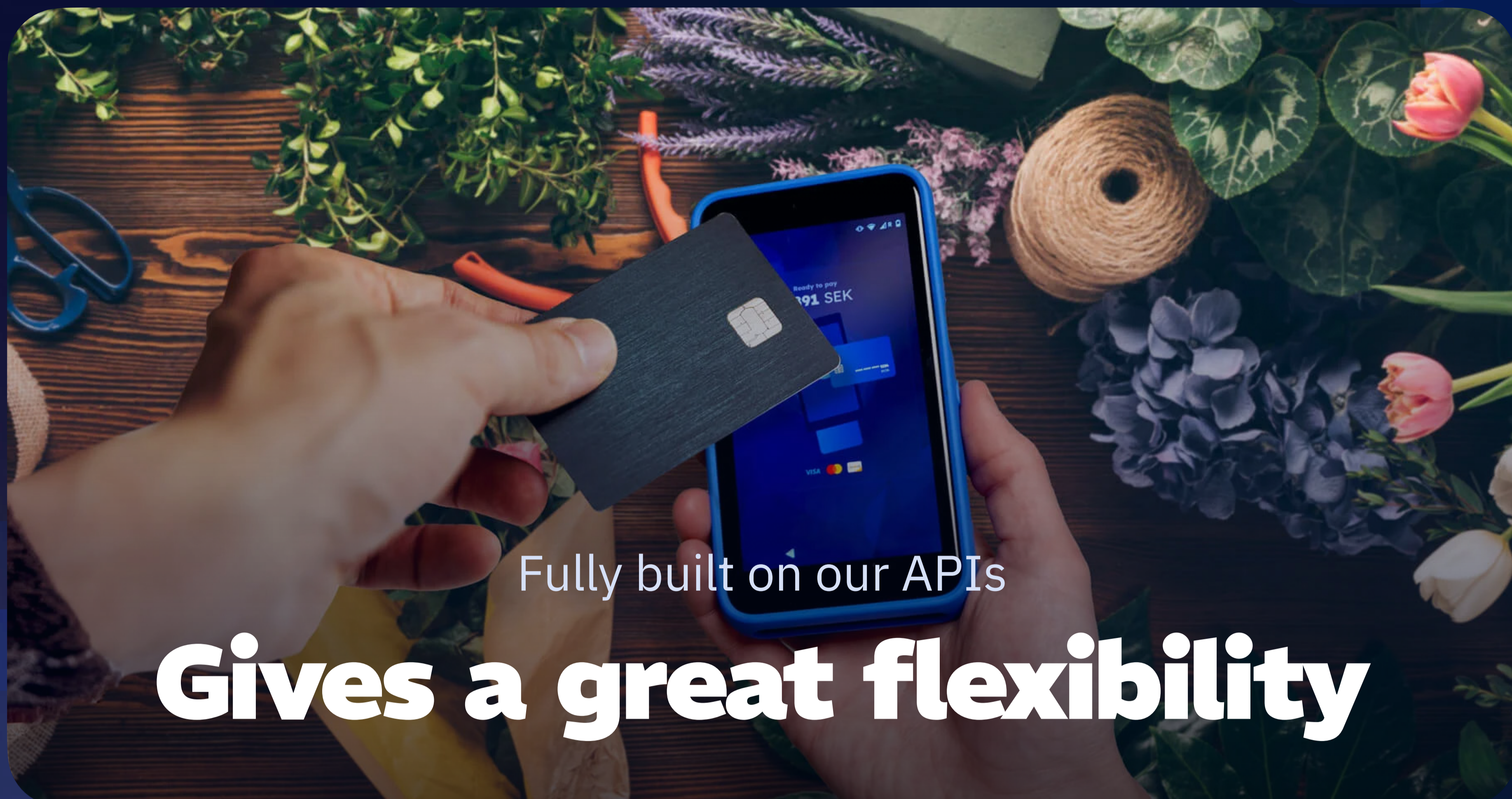
The SurfTouch is an Android-based touchscreen device for both contactless and chip transactions. With a contactless reader on the front screen, the experience of tapping the card is as good as it gets.

You can select the device with or without the built-in Zebra scanner. Implement multiple payment methods, use our receipt host for digital receipts, and rely on our delivery service to get your merchant their devices within 48 hours.



Accepting these (and more to come)





Fully built on our APIs

Gives a great flexibility

SurfTouch supports

- ✓ Card payments: Chip & contactless
- ✓ APM: QR code payments
- ✓ API integration with your existing systems (ECR, checkout systems etc.)
- ✓ Connection with WiFi or mobile network
- ✓ Publish your Android app on the device



Example API Reference

Add tips to the SurfTouch

Tips APIs enable merchants to integrate tipping functionality directly into the payment terminals.

This is just one of the features that the SurfTouch supports

[Full API documentation here »](#)

```
PATCH API_URL/merchants/merchantId/stores/storeId/terminals/:terminalId/tips
cURL PHP Node.js GO Python C#
curl -X PATCH \
  -d '{
    "tipConfig": "ENABLED",
    "tipLevel1": 10,
    "tipLevel2": 20,
    "tipLevel3": 30
  }' \
  -H 'Content-Type: application/json' \
  -H 'API-KEY: YOUR_API_KEY' \
  -H 'API-SECRET: YOUR_API_SECRET' \
  -H 'MERCHANT-ID: YOUR_MERCHANT_ID' \
  API_URL/merchants/merchantId/stores/storeId/terminals/:terminalId/tips
```

Find out more

[Read the SurfTouch documentation](#)

Specifications

Card payments	Contact chip and contactless with PIN. Contactless reader on the screen
CPU	Quad Core ARM Cortex-A53 - 1.8 GHz, Secure ARM Cortex M4
Memory	1 GB RAM, 8 GB Flash (optional), 2 GB RAM, 16 GB Flash (optional)
Operating System	Android 10
Main camera	5 megapixels, fixed focus, 70 lm flash light
Buttons	On/Off button, 2 scan buttons
Display	5-inch mutual capacitance touch 720 x 1280 px
Sensors	Accelerometer Proximity sensor, Light sensor
Smart card reader	Friction type
Contactless reader	NFC-A, ISO 14443 Type A, NFC-B, ISO 14443 Type B, NFC-F, Felica NFC-V, ISO 15693
Contactless payments	VISA payWave, MasterCard PayPass, American Express, DPAS (Discover)
Barcode reader	2D Zebra SE4710 - 1280 x 800 CMOS
Connectors	2 x nano SIM card slots, SAM card slot, Micro SD card slot (max 32 GB), RS-232 contact pins, USB Type-C port 3.5 mm, TRRS port
Wireless	IEEE 802.11 a/b/g/n/ac, 2.4 GHz and 5 GHz
Cellular	2G/3G/4G (Dual operators)
Battery	Rechargeable Li-Ion Battery, 4.35 V, 2500 mAh, Coin Cell, 3 V, 120 mAh
Reliability	500,000 chip card cycles
Certificates	CE, FCC, ROHS, CB, BIS, UN38.3, PCI PTS 5.x SRED, EMV Level 1, EMV Level 2, EMV Level 1 Contactless
Dimensions W x D x H	144 x 77 x 16 mm
Weight	208 g
Drop tested	1.2 m, faces and edges
Operational	-10 °C to 50 °C

Accessories

Currently available accessories and mounting alternatives



Charger stand

94 x 181 x 86 mm
440 g



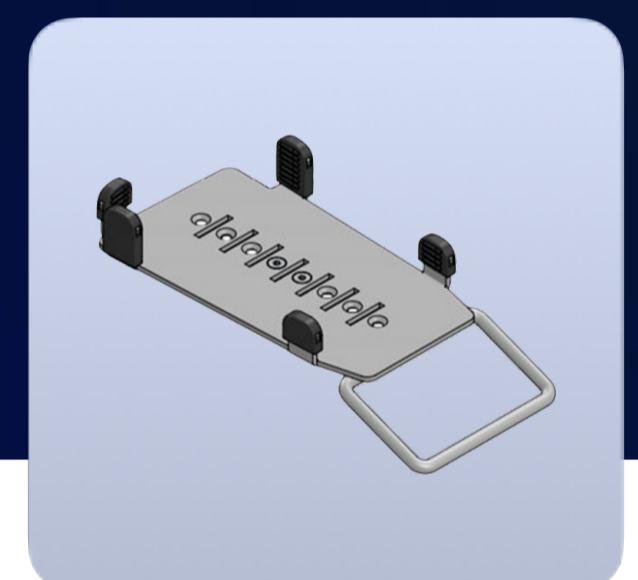
Charger & printer

Direct line thermal printer
Printing Width: 48 mm



Rugged case

Available in multiple colors



Multi-grip handle

SpacePole



DuraTilt counter

SpacePole
Metallic pole for Multi-grip



Stack

SpacePole
Composite pole for Multi-grip



Swing arm

SpacePole
For DuraTilt & Multi-grip

Want other accessories? Talk to us and we will solve it

[Relevant links](#)

[SurfTouch product page »](#)

[Surfboard API documentation »](#)

[Get in touch with us »](#)

Surfboard Payments AB | Organization number: 559214-0437 | Torsgatan 30, 113 21 Stockholm, Sweden
sales@surfboardpayments.com